



P4 Series HYDROSTATIC LEVEL SENSORS

P40/P42/P43/P44/P45

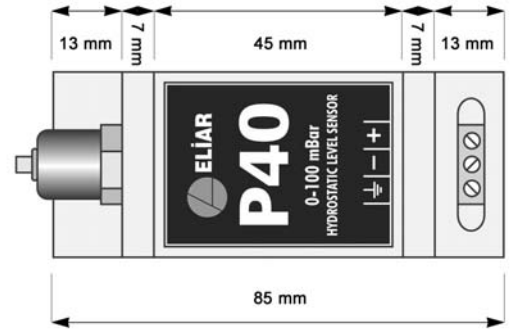
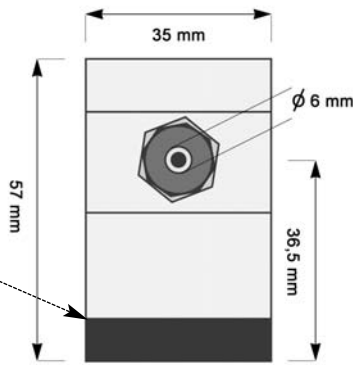


TECHNICAL SPECIFICATIONS

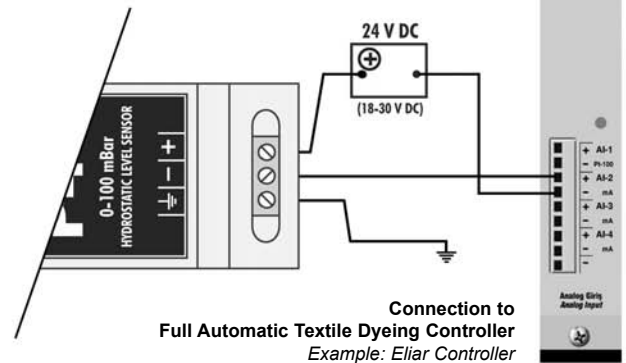
Excitation Voltage	24 VDC (18-30 VDC)	Load Driving	500 Ohm 24 V DC
Input	0-100 mbar (P40) 0-200 mbar (P42) 0-300 mbar (P43) 0-400 mbar (P44) 0-500 mbar (P45)	Linearity	< % 1
Media Isolation	Air	Temperature Range	0 - 60 °C
Output	4-20 mA	Mounting	Rail Type
Overpressure	750 mbar	Hose Diameter	6 mm
		Weight	80 gr
		Case	ABS
		Environmental Rating	IP40

DIMENSIONS

WARNING:
DO NOT try to open the case.
This breaks off the case.
Attempts in contrary, may
cause irreversible damage to
sensitive circuitry inside.



CONNECTIONS



WARRANTY

In following cases warranty will be void:

- 1- Damages caused by reverse connection, high voltage and short circuit.
- 2- Breaking open the sensor case.
- 3- Chemicals leaking into the case.
- 4- Damages to hose fitting due to excessive force.