

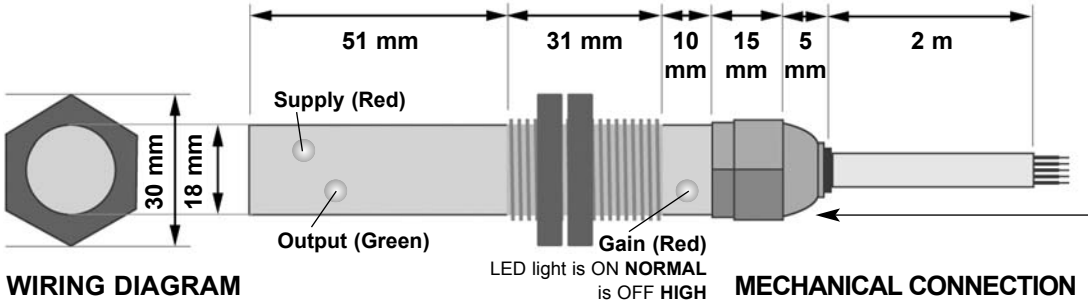
ELIAR S30 SEAM DETECTOR with 2 Gain Levels



TECHNICAL SPECIFICATIONS

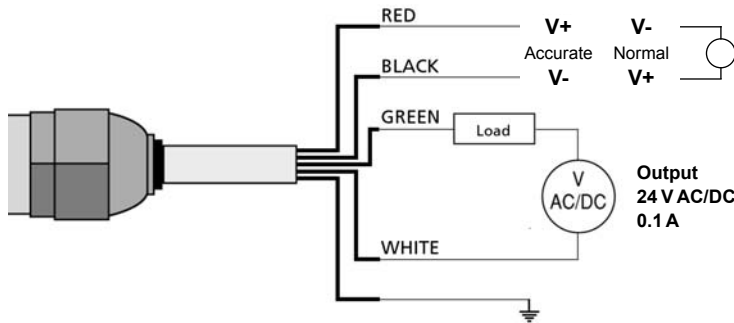
Sensing Distance	Normal	0-25 ± 5 cm	Excitation Voltage	24 V DC	Signal	Red LED
	High	0-35 ± 5 cm		Load Driving		100 mA (24 V AC/DC)
Sensing Speed		0.02-10 m/s	Operating Temperature	0 - 95 °C	Gain (Normal)	Red LED
Sensing Magnet	AlNiCo and Samarium		Output Protection	Short Circuit Protected	Power Consumption	1 W
	Cobald (Min. 0.5 Oe)		Min. Output Pulse Length	1 sec	Weight	105 gr
			Min. Sensing Period	3 sec	Cable Length	2 m
					Environmental Rating	IP64

DIMENSIONS

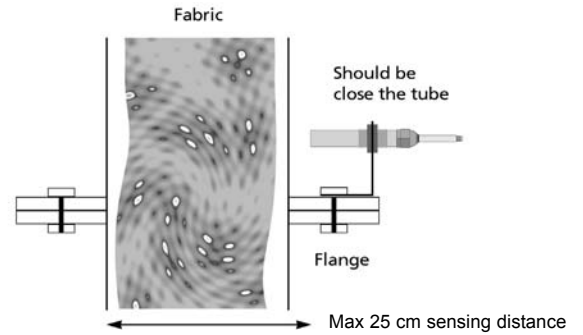


WARNING
DO NOT try to open the cable gland. This breaks off the water-proof sealing. Attempts in contrary, may cause irreversible damage to sensitive circuitry inside.

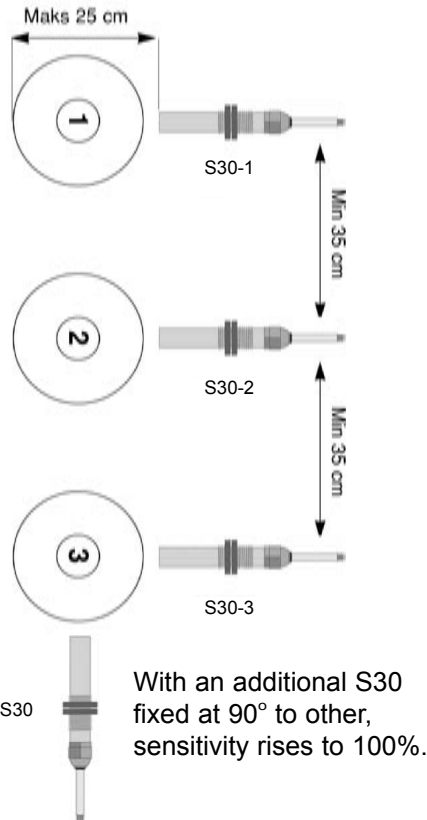
WIRING DIAGRAM



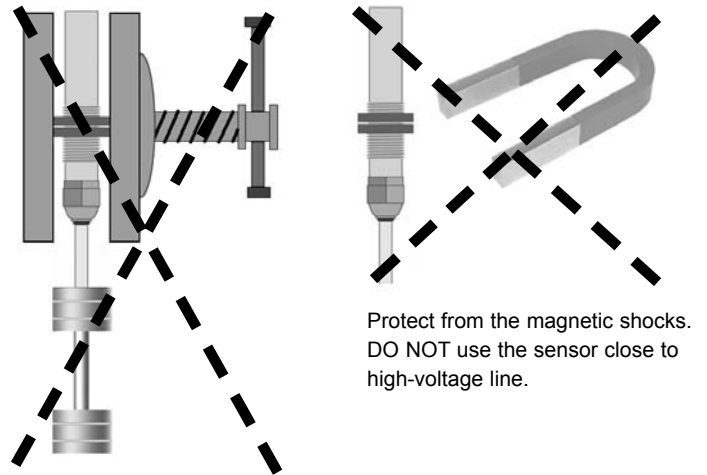
MECHANICAL CONNECTION



SUGGESTED APPLICATIONS



WARNINGS



DO NOT compress. DO NOT hang the sensor's cable.

WARRANTY (15 months)

The events that warranty will be voided:

- 1- Opening the sensor's case.
- 2- Opening the cable gland or damages on it.
- 3- Damages on montage thread of the sensor.